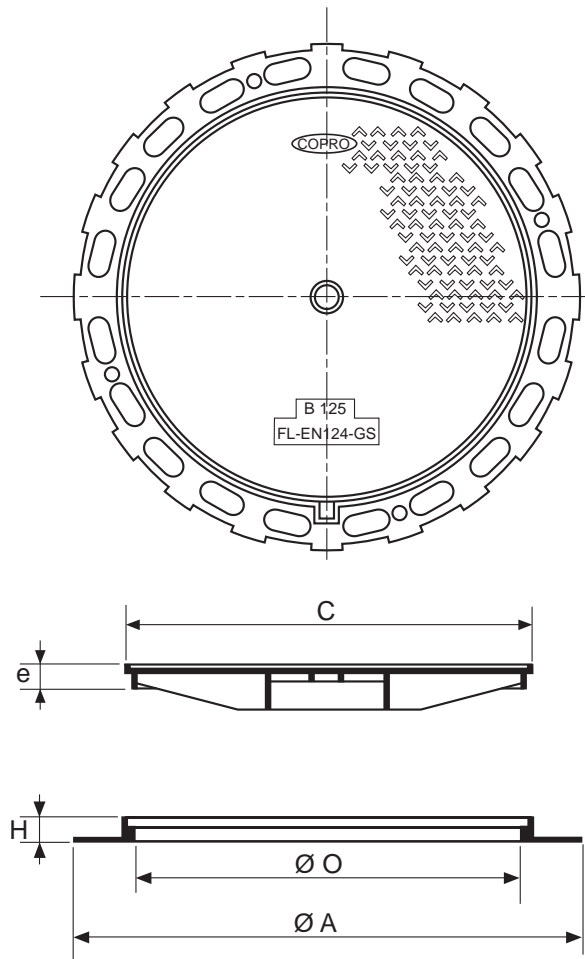




RH

Pedestrian area covers

Manhole cover with round frame



• EN 124 certification by COPRO

- Class C250
- Ductile iron FGS 500-7



REFERENCE	DIMENSIONS					KG	CLASS	PACK.
	Ø A	Ø O	H	e	C			
RH 65 reversible cover	650	550	42	30	580	29	B 125	20
RH 80	800	610	34	27	640	38	B 125	15