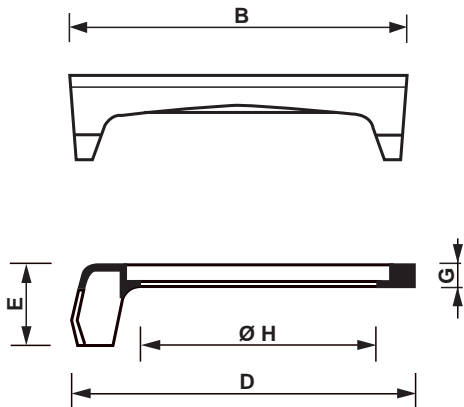
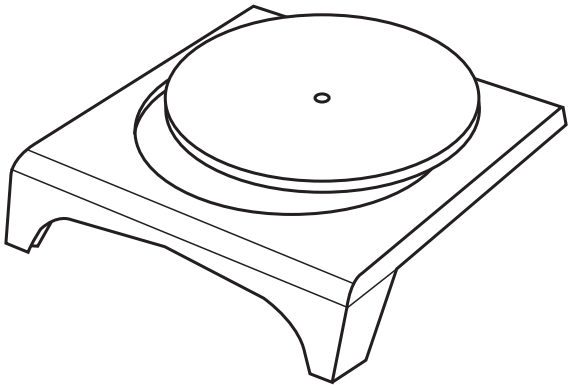


PA-PT Gullies

Inspection covers A and T

Ductile iron

Class C250 road type and B125 footpath type



• EN 124 certification by COPRO

| REFERENCE | DIMENSIONS | | | | | KG | PACK. |
|-----------|------------|-----|-----|----|-----|----|-------|
| | B | D | E | G | ØH | | |
| PA | 800 | 830 | 120 | 40 | 610 | 69 | 10 |
| PT | 800 | 830 | 200 | 40 | 610 | 73 | 8 |