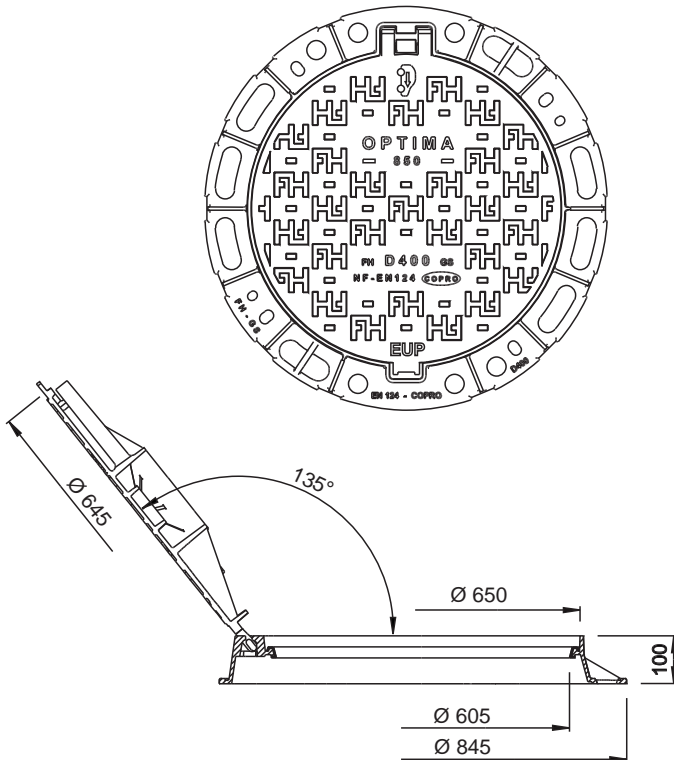


## OPTIMA Manhole cover

**Hinged and locked circular road cover  
Class D400 - Medium traffic**



REFERENCE	KG	CLASS	PACK.
<b>OPTIMA R round</b>	65	<b>D 400</b>	10

- Efficient hinging
  - opening of the cover at 135° for easy access and for the safety of the operators.
  - easy removal of sediment
- Locking by a double elastic bar
  - improved elastic efficiency
  - locking simply through pression or by the passage of vehicles
  - release through leverage by any traditional tools
- Soundproofing and stability
  - polyethylene seal
  - cover and frame with cavities for proper alignment
  - tightening of the cover in the frame is obtained by the action of 2 elastic bars
- Ductile iron
- Opening rings
  - 2 rings diametrically opposed
- holes for anchoring by pegging:
  - 4 holes on the basis of the frame, placed on a diameter of 740mm
- Antiskid design for low noise nuisance
- Indication of the optimal traffic direction
- Marking identification of the network:
  - Used water
  - Rainwater
  - Drinkwater