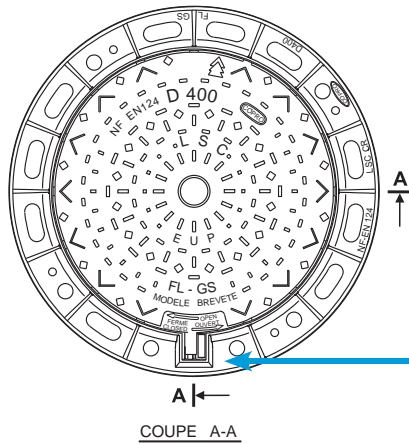
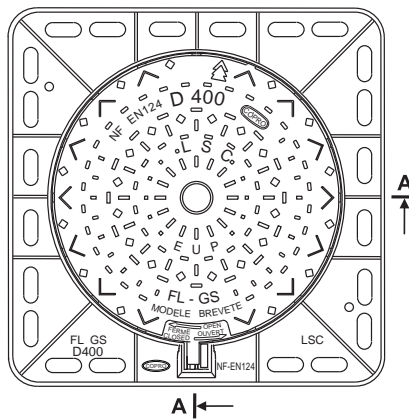
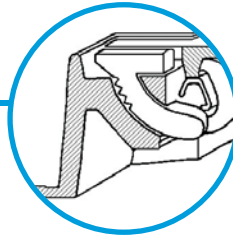
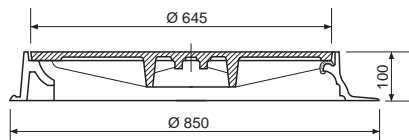


LSC Road cover

Locked road cover
Class D400 - medium traffic



COUPE A-A



A-A



REFERENCE	KG	CLASS	PACK.
LSC R round	65	D 400	10
LSC C square	72	D 400	10

- **EN 124 certification by COPRO**
- Locking by rotation-effect with 3 hooks
- A key to prevent reverse rotation
- Positioning mark of the cover in its frame
- Polyethylene seal ensuring the stability and the soundproofing

- Antiskid design
- Marking "E.U.P" = Possibility of identification of the network
- "Used water" or "Rainwater" by grinding the letter "P" or "U"
- Free opening Ø 600 mm
- Ductile iron
- Class D400 Medium traffic