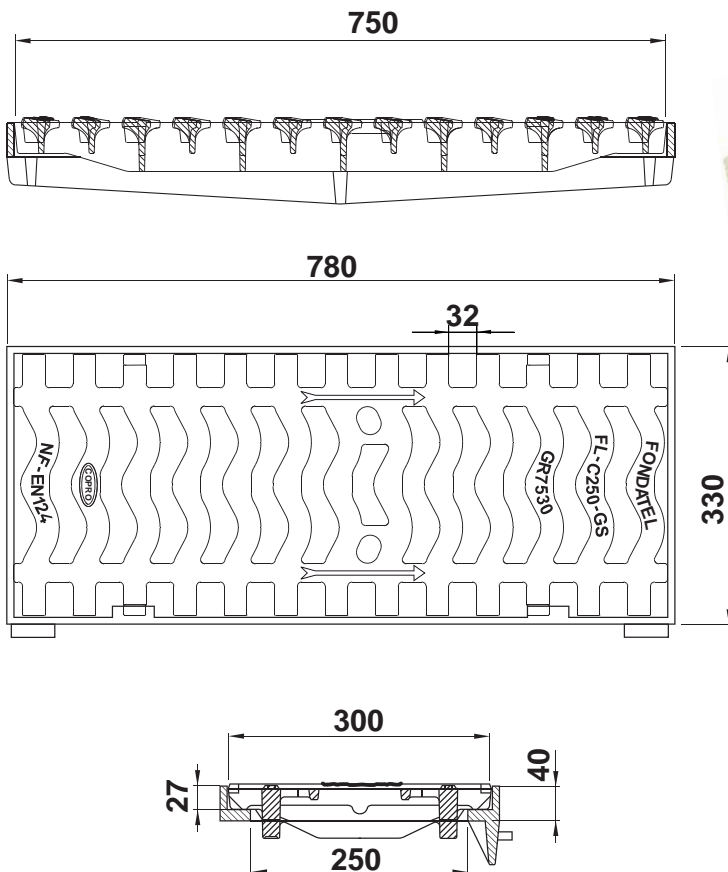


GRA 7530

Frame and grating for gully

Gully frame and grating for optimized absorption
Class C250



- **EN 124 certification by COPRO**
- Gully frame and grating for optimized absorption
- Surface profile favouring optimal absorption
- Locking of the grating in the frame with 2 pins
- Reversible grating to meet the flow direction
- 2 holes for easy handling by crowbar or pickaxe
- Accessory provided for the gullies AA and AT or the inspection covers PA and PT



REFERENCE	KG	CLASS	PACK.
GRA7530	38	C 250	20