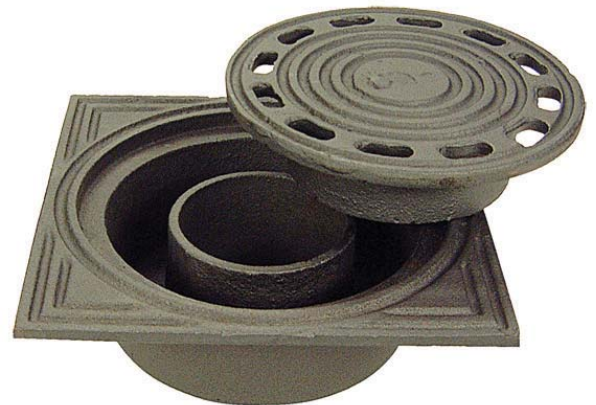
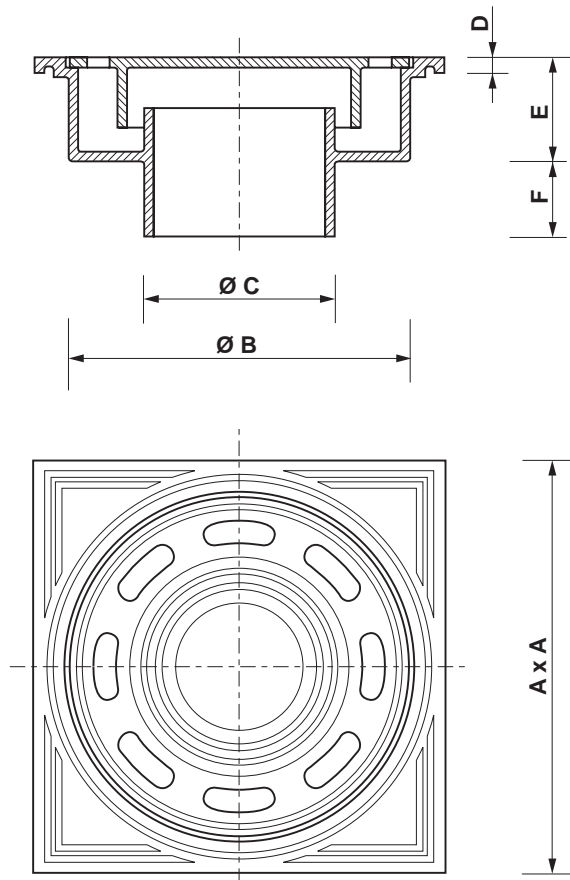


FLOORDRAINS



- Cast iron FGL
- Bitumen black paint

REF.	DIMENSIONS						KG	PACK.
	A x A	$\varnothing B$	$\varnothing C$	D	E	F		
S 15	150 x 150	105	50	9	55	25	2,5	20
S 20	200 x 200	145	82	9	65	20	4,1	20
S 25	250 x 250	190	95	9	70	30	7,5	20
S 30	300 x 300	250	100	9	60	40	10,5	20
S 40	400 x 400	340	120	20	115	45	25,0	20