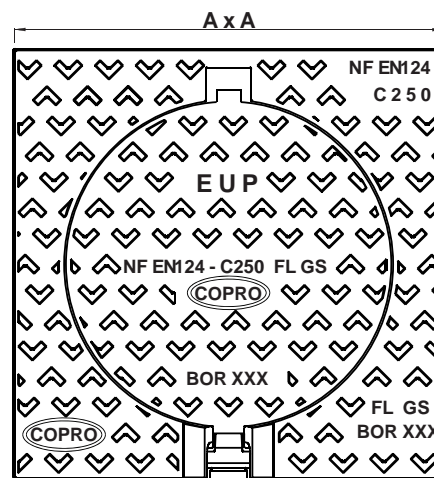
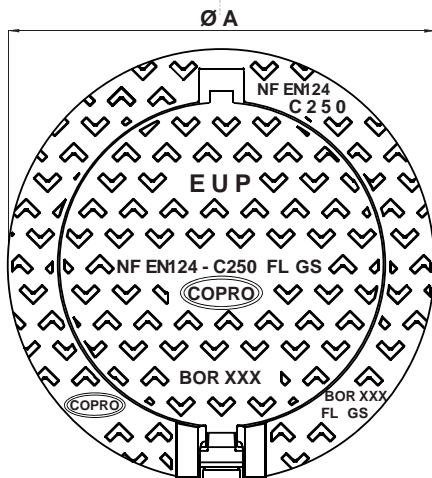
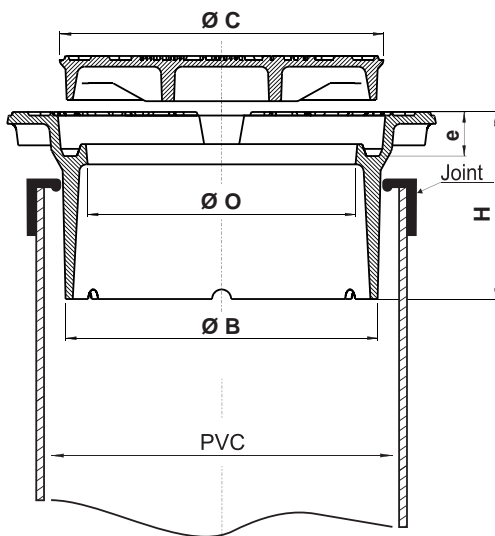


BOR Connection cover

Cover with hydraulic lock for PVC chamber
EPDM seal- Hinged
Class C250



REFERENCE	DIMENSIONS							KG	CLASS	PACK.
	A x A	Ø B	Ø C	Ø O	H	E				
BOR A250 for tube Ø 250	318	208	231	180	157	37	16	C 250	20/45	
BOR A300R round	360	262	272	225	157	37	18	C 250	20/45	
BOR A300C square tube Ø 300	360	262	272	225	157	37	20	C 250	20/45	
BOR A400 for tube Ø 400	450	335	354	301	157	37	29	C 250	20	

- **EN 124 certification by COPRO**
- Elastomer seal: allows adjustment on top of the frame and provides a seal
- Hydraulic seal

- Frame and cover hinged
- Ductile iron FGS 500-7
- E.U.P., Used water, Rainwater - marking