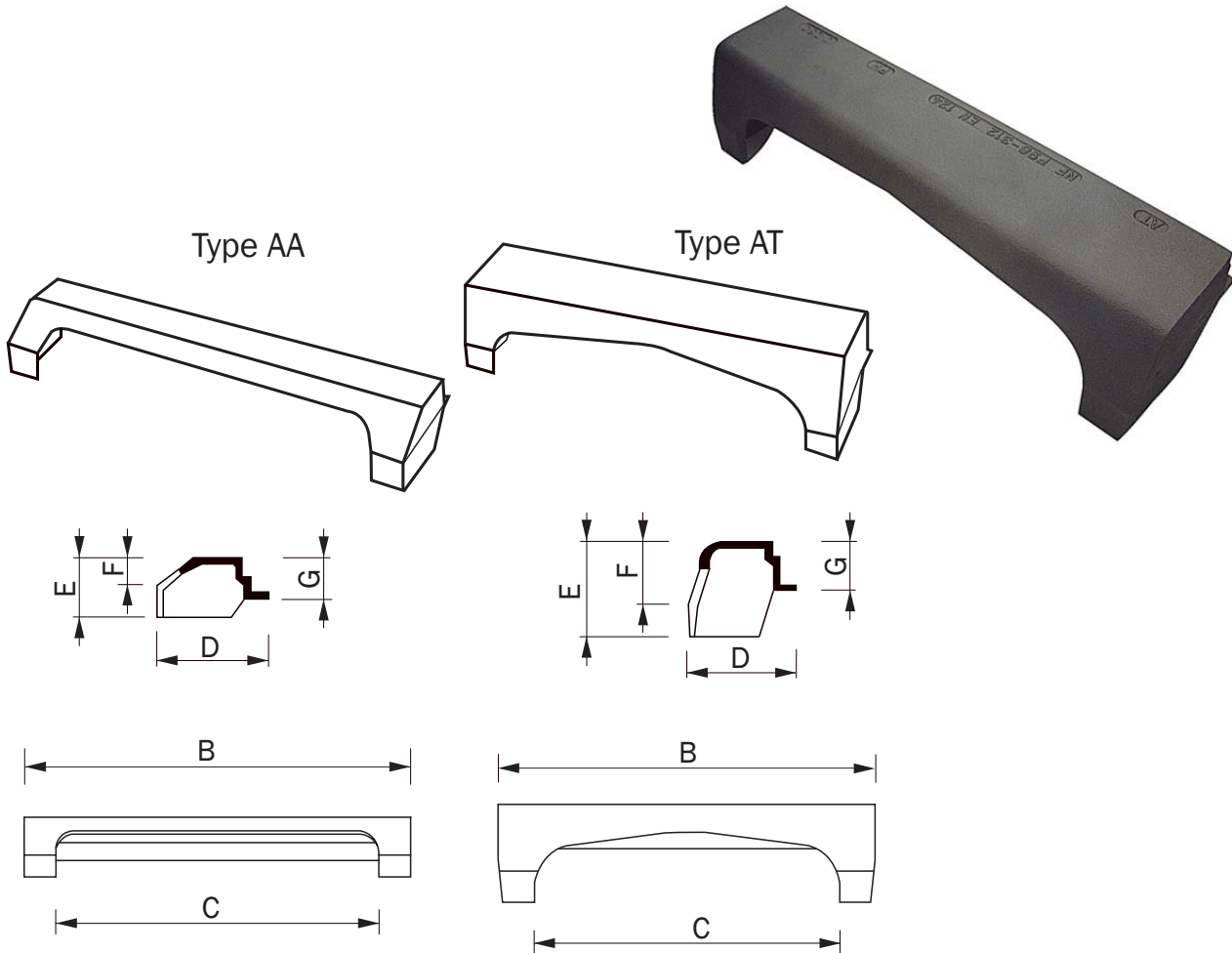


AA-AT Gullies

Gully Profile A and T



- EN 124 certification by COPRO
- Class C250
- Ductile iron

REFERENCE	DIMENSIONS						KG	CLASS	PACK.
	B	C	D	E	F	G			
AA	800	690	225	120	60	80	24	C 250	20
AT	800	680	225	200	140	100	30	C 250	20