

105045LP

Gullies - flat grating D400



hinged



DESCRIPTION

Gullies for road infrastructure, industrial zones D400

ADVANTAGE PRODUCT

- Hinged grating (opening direction can be changed)
- Flat grating, with round bars
- Lateral outlet for DN 160 pipe.
- 2 handling hooks
- Grating supports on 6 points with EPDM seal.

MATERIAL

Ductile iron GJS 500-7 depending on EN1563

CERTIFICATION THIRD PARTY

Conform PTV 802, type I class D400
Certified EN124-2 BENOR by Copro

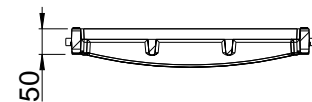
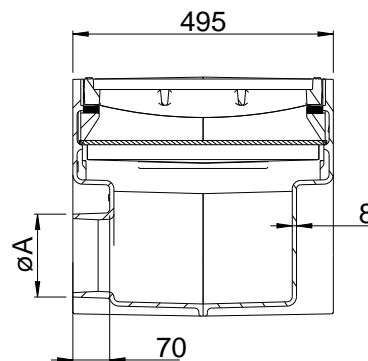
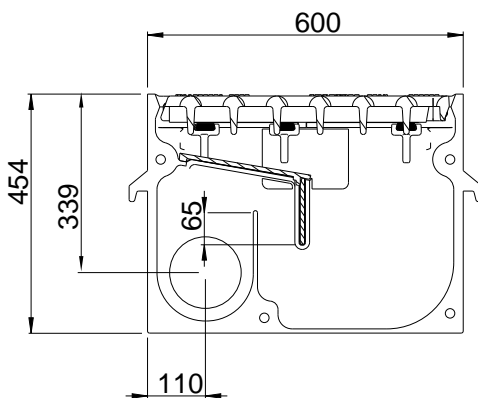
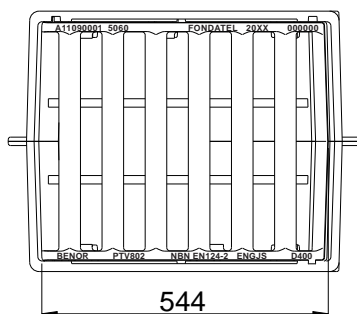
PLACE OF INSTALLATION

Group 3, →see EN124-1

For gully tops installed in the area of kerbside channels of roads which when measured from the kerb edge, extend a maximum of 0,5m into carriageway.

OPTION

Available with concave grating: 105045LI



	ØA
PVC	160
GRÈS	186

REFERENCE	ART.N°	KG	CAPACITY	CAPACITY HOLDING TANK
AVA 506045 flat - round bars - lat- pvc	105045LP0.160	144,5	26 dm ²	37,5L
AVA 506045 flat - round bars - lat- grès	105045LP0.GRES	144,5	26 dm ²	37,5L

The validity of the data sheet can be verified on the COPRO website <https://extranet.copro.eu/fr>

Sizes in mm - Weights, sizes and sketch are indicative - Uncontrolled distribution.