

103060LP

Gullies - flat grating D400



BENOR



hinged



DESCRIPTION

Gullies for road infrastructure, industrial zones D400

ADVANTAGE PRODUCT

- Hinged grating (opening direction can be changed)
- Flat grating, with round bars, 45° bars or pedestrian.
- Grating pedestrian bars: opening between bars <20mm for additional security for wheelchairs and bicycles.
- Lateral outlet Ø PVC 160
- 2 handling hooks
- Grating supports on 6 points with EPDM seal.

MATERIAL

Ductile iron GJS 500-7 depending on EN1563

CERTIFICATION THIRD PARTY

Conform PTV 802, type G1 class D400
Certified EN124-2 BENOR by Copro

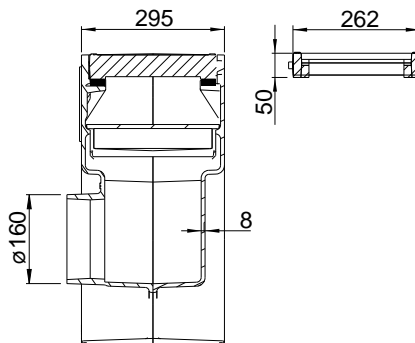
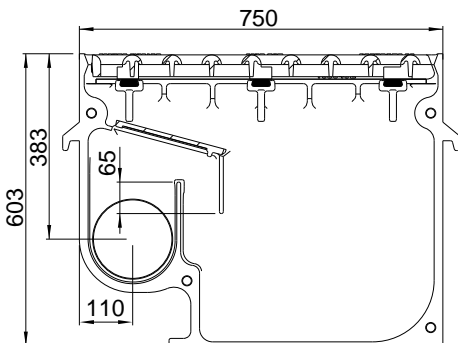
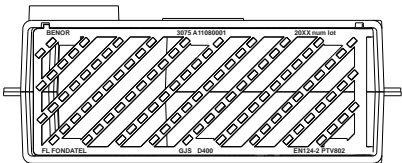
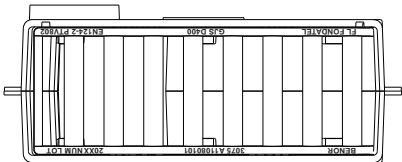
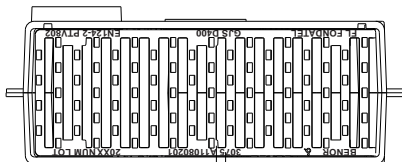
PLACE OF INSTALLATION

Group 3, →see EN124-1

For gully tops installed in the area of kerbside channels of roads which when measured from the kerb edge, extend a maximum of 0,5m into carriageway.

OPTIONS

- Available with concave grating: 103060LI



REFERENCE	ART. N°	KG	CAPACITY	CAPACITY HOLDING TANK	PACK.
AVA 307560 flat - pedestrian bars - lat - pvc	103060LP1.160	130,0	18 dm ²	46L	8
AVA 307560 flat - round bars - lat - pvc	103060LP0.160	130,0	18 dm ²	46L	8
AVA 307560 flat - 45° bars - lat - pvc	103060LP7.160	130,0	18 dm ²	46L	8

The validity of the data sheet can be verified on the COPRO website <https://extranet.copro.eu/fr>

Sizes in mm - Weights, sizes and sketch are indicative - Uncontrolled distribution.