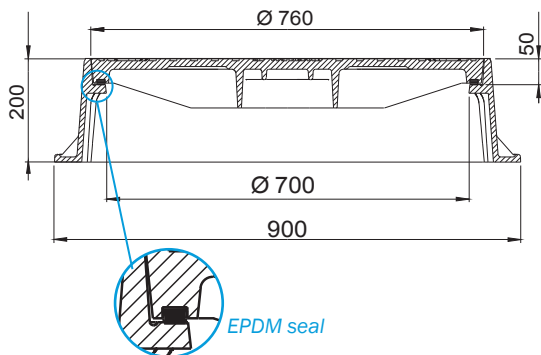
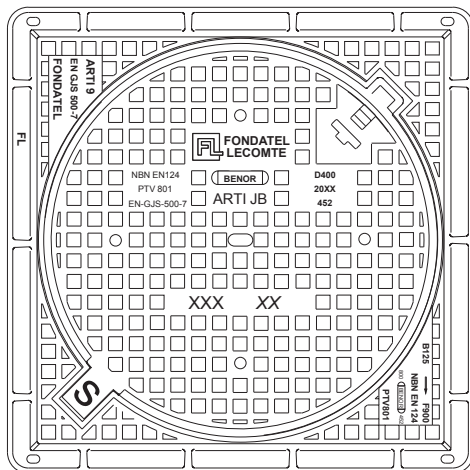
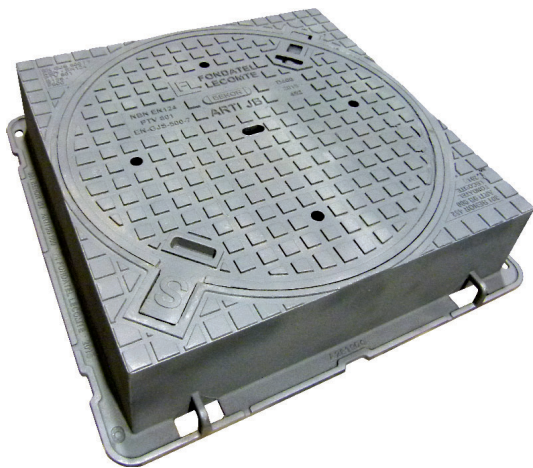


# ARTI 9 B Manhole cover D400

PTV801	heavy traffic	square frame round cover	hinged	ventilated	seal	security	OPTION	OPTION	OPTION	OPTION



**DESCRIPTION**  
Hinged manhole cover D400 BENOR PTV801 ventilated, for heavy traffic.

- ADVANTAGE PRODUCT**  
**Efficient articulation**
- Hinging automatic cleaning (when opening)
  - Opening of the cover at >110° for easy access
  - Security: covers blocks at 90° when opening.
  - For closing cover: additional manipulation (lifting cover) needed before closing cover.
  - Cover is removable at 90°.

- Silence and stability**
- Square frame height 200mm with clear opening 700mm.
  - EPDM sealing in machined opening cover on whole diameter, to guarantee perfect sealing.
  - Antiskid design for low noise nuisance

- Implementation and use**
- Cover with 4 round ventilation holes and 1 oval hole which enables to lift and/or open cover.
  - 4 handling rings on the base of frame.
  - 3 handling rings on the base of frame.
  - Reinforced frame
  - 4 holes for possible fastening to the ground.
  - Keyhole in order to facilitate opening.
  - High frame with reinforcements at bottom end to enable to facilitate finishing by all types including pavements.

**MATERIAL**  
Ductile iron GJS 500-7 depending on EN1563

**COATING**  
Black water paint non-toxic and non-polluting

**CERTIFICATION THIRD PARTY**  
Certified EN124 BENOR PTV801 by Copro

**PLACE OF INSTALLATION**  
Group 4, class D400 → see EN124  
Carrageways of roads (including pedestrian streets), hand shoulders and parking areas, for all types of road vehicles

- OPTION**
- Locking by means of 4 locking devices.
  - No ventilated cover
  - Marking/logo on request
  - 1 BAR watertightness

REFERENCE	ART.N°	KG	PACK.
Arti 9 B D400	---	161	7

The validity of the data sheet can be verified on the COPRO website (www.copro.eu)  
Sizes in mm - Weights, sizes and sketch are indicative - Uncontrolled distribution.