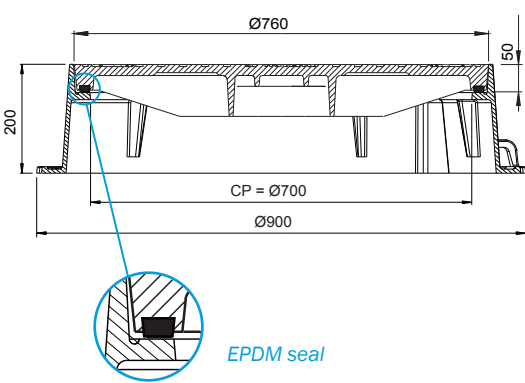
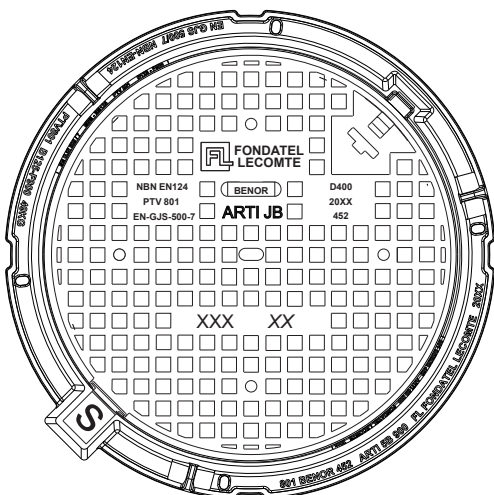


ARTI 5 B Manhole cover D400

| | | | | | | | | | | |
|--------|---------------|-------------|--------|------------|------|----------|--------|--------|--------|--------|
| PTV801 | heavy traffic | round frame | hinged | ventilated | seal | security | OPTION | OPTION | OPTION | OPTION |
| | | | | | | | | | | |



DESCRIPTION
Hinged manhole cover D400 BENOR PTV801 ventilated, for heavy traffic.

- ADVANTAGE PRODUCT**
- Efficient articulation**
- Hinging automatic cleaning (when opening)
 - Opening of the cover at >110° for easy access
 - Security: covers blocks at 90° when opening.
 - For closing cover: additional manipulation (lifting cover) needed before closing cover.
 - Cover is removable at 90°.

- Silence and stability**
- Round frame height 200mm with clear opening 700mm.
 - EPDM sealing in machined opening cover on whole diameter, to guarantee perfect sealing.
 - Antiskid design for low noise nuisance

- Implementation and use**
- Cover with 4 round ventilation holes and 1 oval hole which enables to lift and/or open cover.
 - 3 handling rings on the base of frame.
 - Reinforced frame
 - 4 holes for possible fastening to the ground.
 - Keyhole in order to facilitate opening.
 - High frame with reinforcements at bottom end to enable to facilitate finishing by all types including pavements.

MATERIAL
Ductile iron GJS 500-7 depending on EN1563

COATING
Black water paint non-toxic and non-polluting

CERTIFICATION THIRD PARTY
Certified EN124 BENOR PTV801 by Copro

PLACE OF INSTALLATION
Group 4, class D400 → see EN124
Carrageways of roads (including pedestrian streets), hand shoulders and parking areas, for all types of road vehicles

- OPTION**
- Locking by means of 4 locking devices.
 - No ventilated cover
 - Marking/logo on request
 - 1 BAR watertightness

| REFERENCE | ART.N° | KG | PACK. |
|---------------|--------|-----|-------|
| Arti 5 B D400 | --- | 126 | 7 |

The validity of the data sheet can be verified on the COPRO website (www.copro.eu)
Sizes in mm - Weights, sizes and sketch are indicative - Uncontrolled distribution.