

# 105045LP

## Gullies - flat grating D400



### DESCRIPTION

Gullies for road infrastructure, industrial zones D400

### ADVANTAGE PRODUCT

- Hinged grating (opening direction can be changed)
- Flat grating, with round bars
- Lateral outlet for DN 160 pipe.
- 2 handling hooks
- Grating supports on 6 points with EPDM seal.

### MATERIAL

Ductile iron GJS 500-7 depending on EN1563

### COATING

Black water paint non-toxic and non-polluting

### CERTIFICATION THIRD PARTY

Conform PTV 802, type I class D400  
Certified EN124 BENOR by Copro

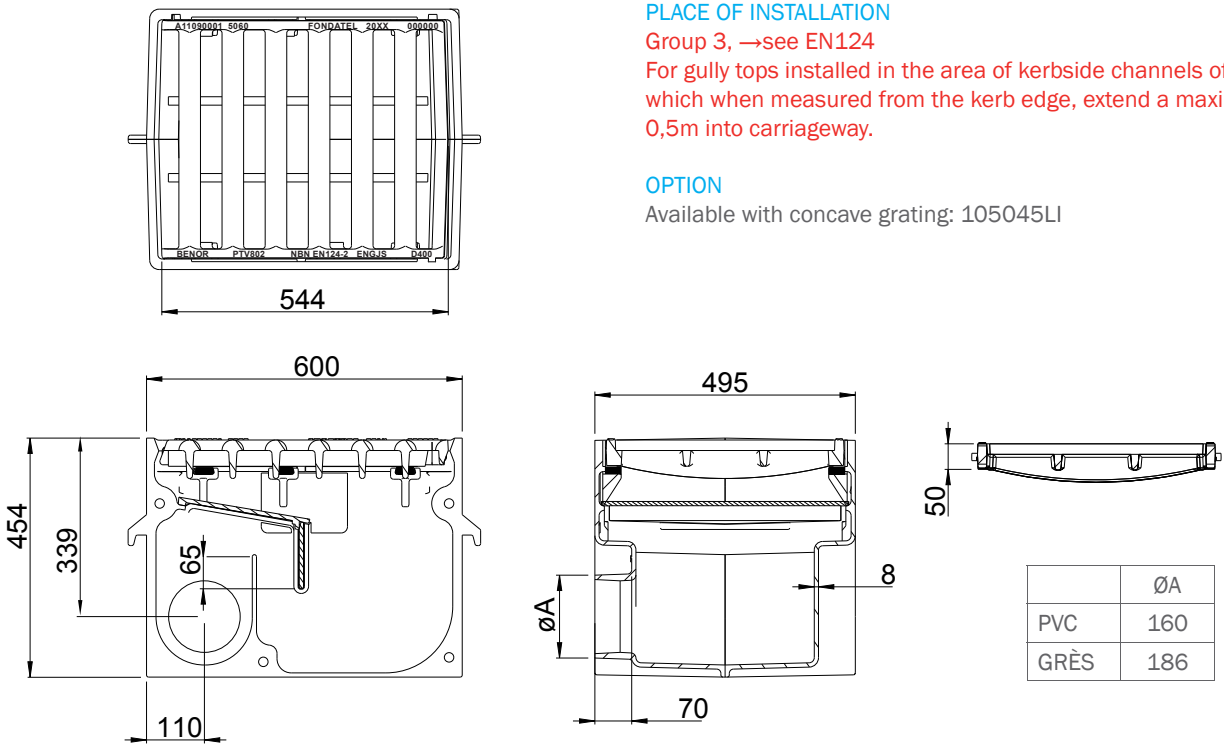
### PLACE OF INSTALLATION

Group 3, →see EN124

For gully tops installed in the area of kerbside channels of roads which when measured from the kerb edge, extend a maximum of 0,5m into carriageway.

### OPTION

Available with concave grating: 105045LI



REFERENCE	ART.N°	KG	CAPACITY	CAPACITY HOLDING TANK
AVA 506045 flat - round bars - lat- pvc	105045LP0.160	144,5	26 dm <sup>2</sup>	37,5L
AVA 506045 flat - round bars - lat- grès	105045LP0.GRES	144,5	26 dm <sup>2</sup>	37,5L

The validity of the data sheet can be verified on the COPRO website ([www.copro.eu](http://www.copro.eu))

Sizes in mm - Weights, sizes and sketch are indicative - Uncontrolled distribution.