

105045LI

Gullies - concave grating D400



DESCRIPTION

Gullies for road infrastructure, industrial zones D400

ADVANTAGE PRODUCT

- Hinged grating (opening direction can be changed)
- Concave grating, with round bars
- Lateral outlet for DN 160 pipe.
- 2 handling hooks
- Grating supports on 6 points with EPDM seal.

MATERIAL

Ductile iron GJS 500-7 depending on EN1563

COATING

Black water paint non-toxic and non-polluting

CERTIFICATION THIRD PARTY

Conform PTV 802, type I class D400
Certified EN124 BENOR by Copro

PLACE OF INSTALLATION

Group 3, →see EN124

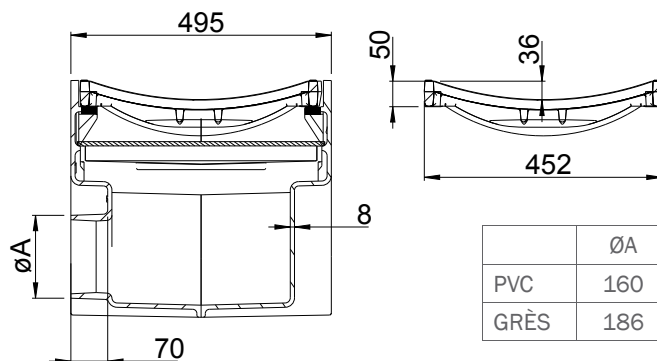
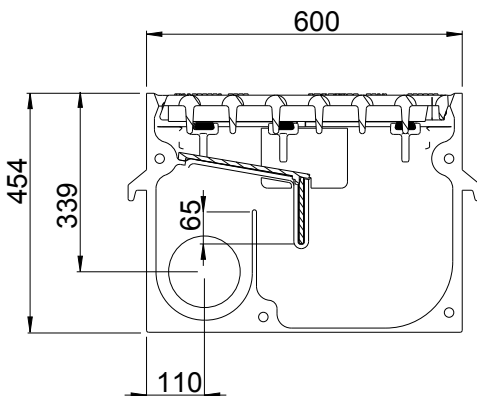
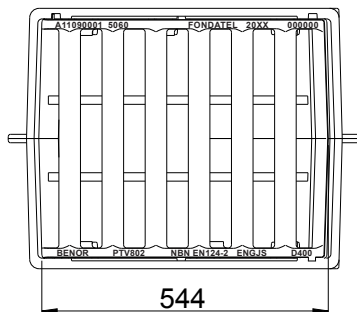
For gully tops installed in the area of kerbside channels of roads which when measured from the kerb edge, extend a maximum of 0,5m into carriageway.

Confirmation about concave gratings:

EN124-2 is not applicable for concave gratings installed onto roads. These gratings need to be installed in areas of kerbside channels along roads

OPTION

Available with flat grating: 105045LP



	ØA
PVC	160
GRÈS	186

REFERENCE	ART.N°	KG	CAPACITY	CAPACITY HOLDING TANK
AVA 506045 concave - round bars - lat- pvc	105045LI0.160	141,0	26 dm ²	37,5L
AVA 506045 concave - round bars- lat- grès	105045LI0.GRES	141,0	26 dm ²	37,5L

The validity of the data sheet can be verified on the COPRO website (www.copro.eu)

Sizes in mm - Weights, sizes and sketch are indicative - Uncontrolled distribution.