

103040LP

Gullies - flat grating D400



BENOR



hinged



DESCRIPTION

Gullies for road infrastructure, industrial zones D400

ADVANTAGE PRODUCT

- Hinged grating (opening direction can be changed)
- Flat grating, with round bars, 45° bars or pedestrian.
- Grating pedestrian bars: opening between bars <20mm for additional security for wheelchairs and bicycles.
- Lateral outlet.
- 2 handling hooks
- Grating supports on 6 points with EPDM seal.

MATERIAL

Ductile iron GJS 500-7 depending on EN1563

COATING

Black water paint non-toxic and non-polluting

CERTIFICATION THIRD PARTY

Conform PTV 802, type F1 class D400
Certified EN124 BENOR by Copro

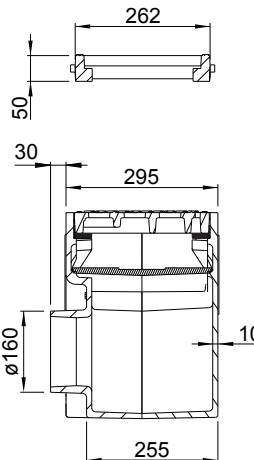
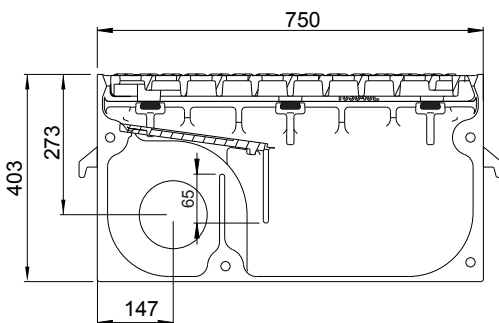
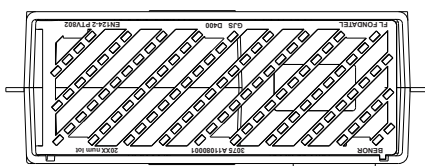
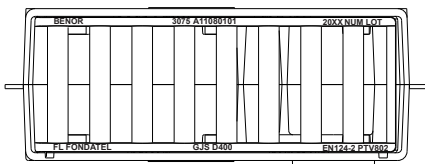
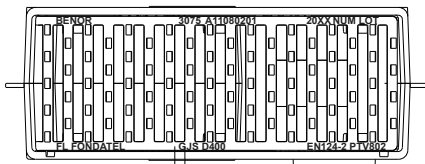
PLACE OF INSTALLATION

Group 3, →see EN124

For gully tops installed in the area of kerbside channels of roads which when measured from the kerb edge, extend a maximum of 0,5m into carriageway.

OPTIONS

- Available with concave grating: 103040LI



REFERENCE	ART. N°	KG	CAPACITY	CAPACITY HOLDING TANK	PACK.
AVA 307540 flat- pedestrian bars - lat - pvc	103040LP1.160	122	18 dm ²	24,7L	12
AVA 307540 flat - round bars - lat - pvc	103040LP0.160	122	18 dm ²	24,7L	12
AVA 307540 flat - 45° bars - lat - pvc	103040LP7.160	122	18 dm ²	24,7L	12

The validity of the data sheet can be verified on the COPRO website (www.copro.eu)

Sizes in mm - Weights, sizes and sketch are indicative - Uncontrolled distribution.