

102357LP

Gullies - flat grating "City of Brussels" D400



BENOR



hinged



DESCRIPTION

Gullies for road infrastructure, industrial zones D400

ADVANTAGE PRODUCT

- Hinged grating (opening direction can be changed)
- Flat grating, with round bars, 45° bars or pedestrian.
- Grating pedestrian bars: opening between bars <20mm for additional security for wheelchairs and bicycles.
- Lateral outlet.
- 2 handling hooks
- Grating supports on 6 points with EPDM seal.

MATERIAL

Ductile iron GJS 500-7 depending on EN1563

COATING

Black water paint non-toxic and non-polluting

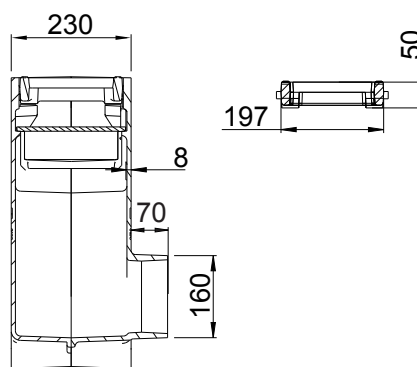
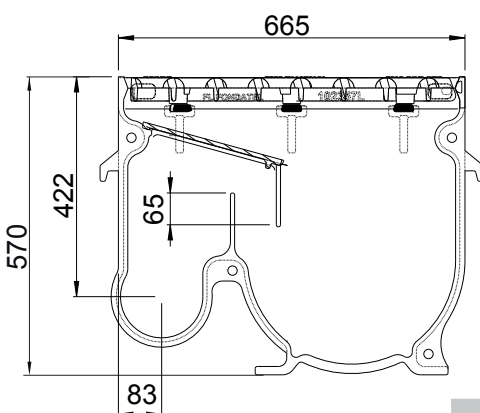
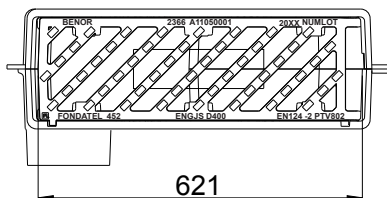
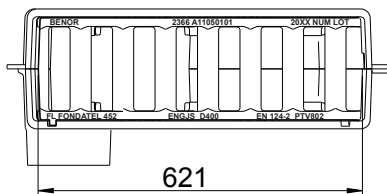
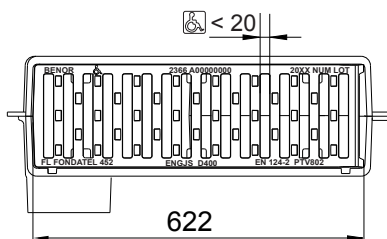
CERTIFICATION THIRD PARTY

Conform PTV 802, type B1 class D400
Certified EN124 BENOR by Copro

PLACE OF INSTALLATION

Group 3, →see EN124

For gully tops installed in the area of kerbside channels of roads which when measured from the kerb edge, extend a maximum of 0,5m into carriageway.



REFERENCE	ART. N°	KG	CAPACITY	CAPACITY HOLDING TANK
AVA 236657 flat - pedestrian bars - lat - pvc	102357LP1.160	99	13 dm ²	25,6L
AVA 236657 flat - round bars - lat - pvc	102357LP0.160	99	13 dm ²	25,6L
AVA 236657 flat - 45° bars - lat - pvc	102357LP7.160	99	13 dm ²	25,6L

The validity of the data sheet can be verified on the COPRO website (www.copro.eu)

Sizes in mm - Weights, sizes and sketch are indicative - Uncontrolled distribution.